

Features SMD Metal-Series

- High reliability
- Available in extended temperature range
- Excellent for automotive applications

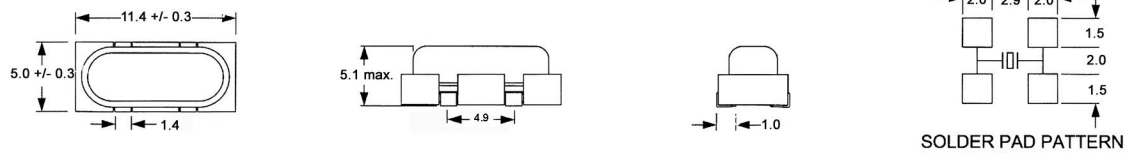


HC49M

Specification

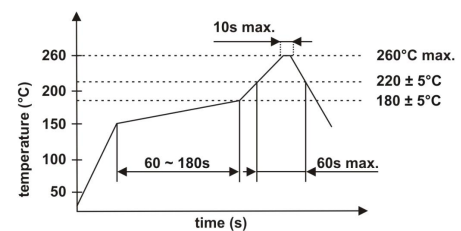
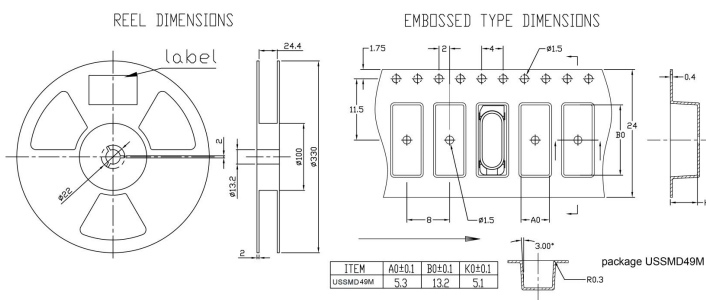
Type	HC49M	ESR max.
Frequency Range fundamental	3,500MHz ~ 40,000 MHz (AT cut)	3,5MHz ~ 4,5MHz = 120 Ohm
Frequency Range over tone	30,000MHz ~ 80,000MHz (AT cut)	4,6MHz ~ 6,0MHz = 90 Ohm
Frequency Tolerance at 25°C±5°C	standard ±30ppm; available ±10 ~ ±50ppm	6,1MHz ~ 8,0MHz = 70 Ohm
Temperature Range	0°C ~ +70°C, or order code	8,1MHz ~ 12,0 MHz = 60 Ohm
Load Capacitance CL	standard 16pF; available 10pF ~ 30pF, SR	12,1MHz ~ 15,0MHz = 40 Ohm
Shunt Capacitance C0	7pF	15,1MHz ~ 18,0MHz = 30 Ohm
Aging	±5ppm/year max	18,1MHz ~ 33MHz = 25 Ohm
Storage Temperature	-55°C - +125°C	Temp. Tolerance at 25°C±5°C (ppm)
Drive Level	1mW max.	-20°C ~ +70°C standard ±30 available ±10 ~ ±50
RoHS	compliant	-40°C ~ +85°C standard ±50 available ±10 ~ ±50
Contents Of Reel	1000 pcs	-40°C ~ +125°C available ±70 ~ ±150

Drawing (mm)



Tape dimension (mm)

Soldering profile



Order code

Part	Frequency	Package	Mode of oscillation	Frequency tolerance	Temperature tolerance	Temperature range	Load capacitance	Option
Q	- 20.000000M	- HC49M	- F	- 30	- 30	- D	- 16	- TR
Q=Quartz	M=MHz	HC49M	F=fund. 3=3.OT	±ppm (25°C)	±ppm (Temp. Range)	A= 0°C ~ +70°C B= -10°C ~ +60°C C= -10°C ~ +70°C D= -20°C ~ +70°C E= -40°C ~ +85°C F= -40°C ~ +105°C G= -40°C ~ +125°C	pF SR=series	TR=Tape and reel X=Special options L1=3,7mm height